

Pre set Programs 0-15:	
0	7 Colors jump
1	7 Colors flash
2	7 Colors fade
3	7 Colors gradual fade
4	7 Colors chase
5	7 Colors chase with 10 repeats on same color
6	7 Colors sequential fade
7	Red Green Blue gradual flow
8	6 Colors strobing
9	6 Colors sequential fade after 10 repeats on same color
10	Sequential fade
11	White sequential fade out
12	6 Colors fade
13	6 Colors sequential fade
14	Light Colors fade
15	2 tone colors fade

Note:

- Initial Setting:
 - Press *1809*
 - Press *123*
 - Press ** number of modules connecting (i.e. **008 if 8 modules are connected).
- Loop playback: Short Press *, then continue press any 0-15 numeric keys, last press Loop playback key to finish. Controller will play cycle the corresponding program of the numeric key.
- The controller can run from 8 to 360 modules.
- The receiver and remote are pre-synced at the factory. If deleted accidentally, the sync method is as follows (multiple remotes can be synced to one receiver):

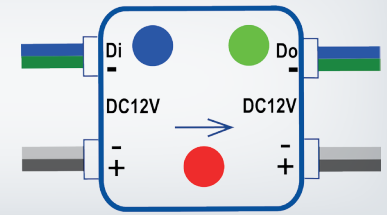
Learning ID: Short press "ID learning button" on the SPI-16 receiver - the running light will turn on and stay on. Then press any keys on the remote M16. The running light will flicker several times, which indicates that it is activated.

Cancelling ID: Press "ID learning button" on the SPI-16 receiver for 5s. The running light will flicker several times, which indicates that it is cancelled.



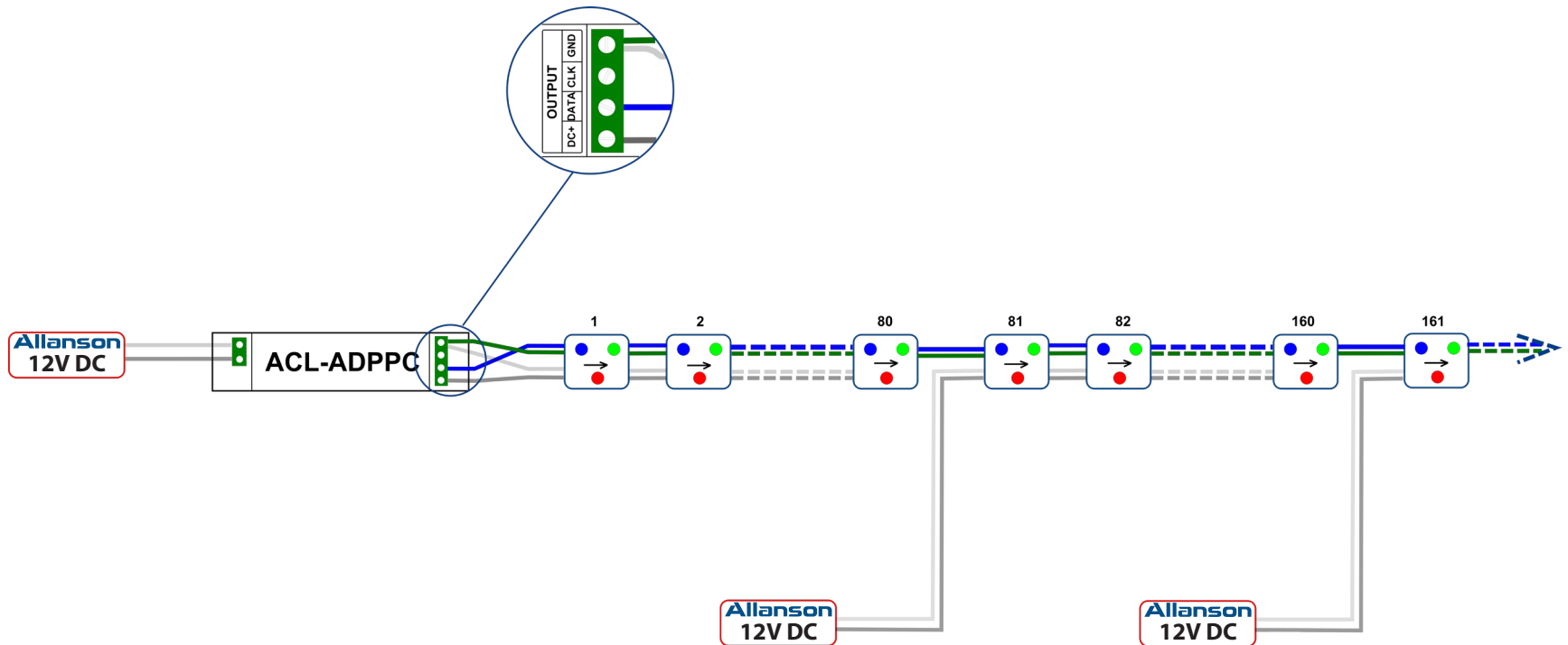
ColorMix

Lighting Solutions



WIRING DIAGRAM

ACL-ADPPC & ACLW-RGB AD



Each Allanson 60W Power Supply (CV125 series) can run maximum 80 modules.
Each ACL-ADPPC can run 8-360 modules.
Maximum distance between controller (ACL-ADPPC) and first module and in between subsequent modules is 100' using Allanson Signal Cable (ACL-DMX-CBL-100) and 60' using CAT5/6 cable.

